

October 22

PRODUCT INFORMATION

Duropal worktops accessories – stock range D/A/CH 2021 - 2024



Duropal worktops can be used wherever the highest standards of durability and longevity are required. Due to their hygienic advantages, the classic areas of application are modern kitchens and bathrooms, hobby rooms, canteens and restaurants as well as doctors' surgeries or laboratory and shop fitting, and also industrial and commercial workplaces.

The variety of decors means that Duropal worktops can be selected according to application and design requirements - from classic to modern.

To ensure that your worktop fits perfectly into the room, Pfleiderer, together with REHAU AG + Co, offers a matching range of accessories such as upstands, edge materials, HPL edge strips and back panels.

The expertise and customer-centred service make the difference. With its partner REHAU AG + Co, Pfleiderer can complement this optimally through its upstand and edge material products.

October 22

REHAU UPSTANDS (WAP)

WAP RAUWALON perfect-line

Upstand range with identical decor to the Duropal worktops range directly through our partner, REHAU AG + Co; further information is available at:

Website: www.rehau.com/interior

Email: info@rehau.com

Hotline: +49 (0) 800 73 42 888

Direct handling through REHAU AG + Co by carrier or parcel service.

Properties / benefits

- watertight due to internal base seal – invisible but indispensable
- an upstand which is matched to the design of your worktop
- seamless transition from the worktop to the WAP due to the invisible lower sealing lip – the WAP and worktop become one
- individual pattern repeat thanks to digital printing technology
- optimum decor portfolio due to printed PP film
- the perfect optical finish in next to no time – you can install RAUWALON perfect-line faster than silicone joints
- small, discreet mouldings

Format

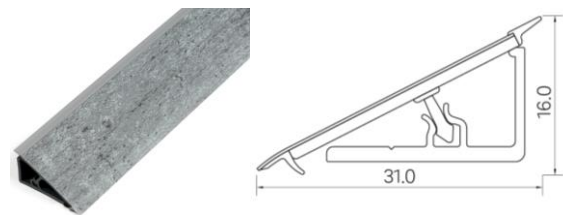
- 4,200 x 31 x 16 mm

Decors matching the worktops range

- Decors according to colour recommendation overview

Neutral colours – for universal use

- Magic aluminium look
- Stainless steel look



Minimum quantities – Mix & Match

- 10 lengths, each length can be individually selected from the RAUWALON perfect-line range

WAP RAUWALON perfect-line MOULDINGS

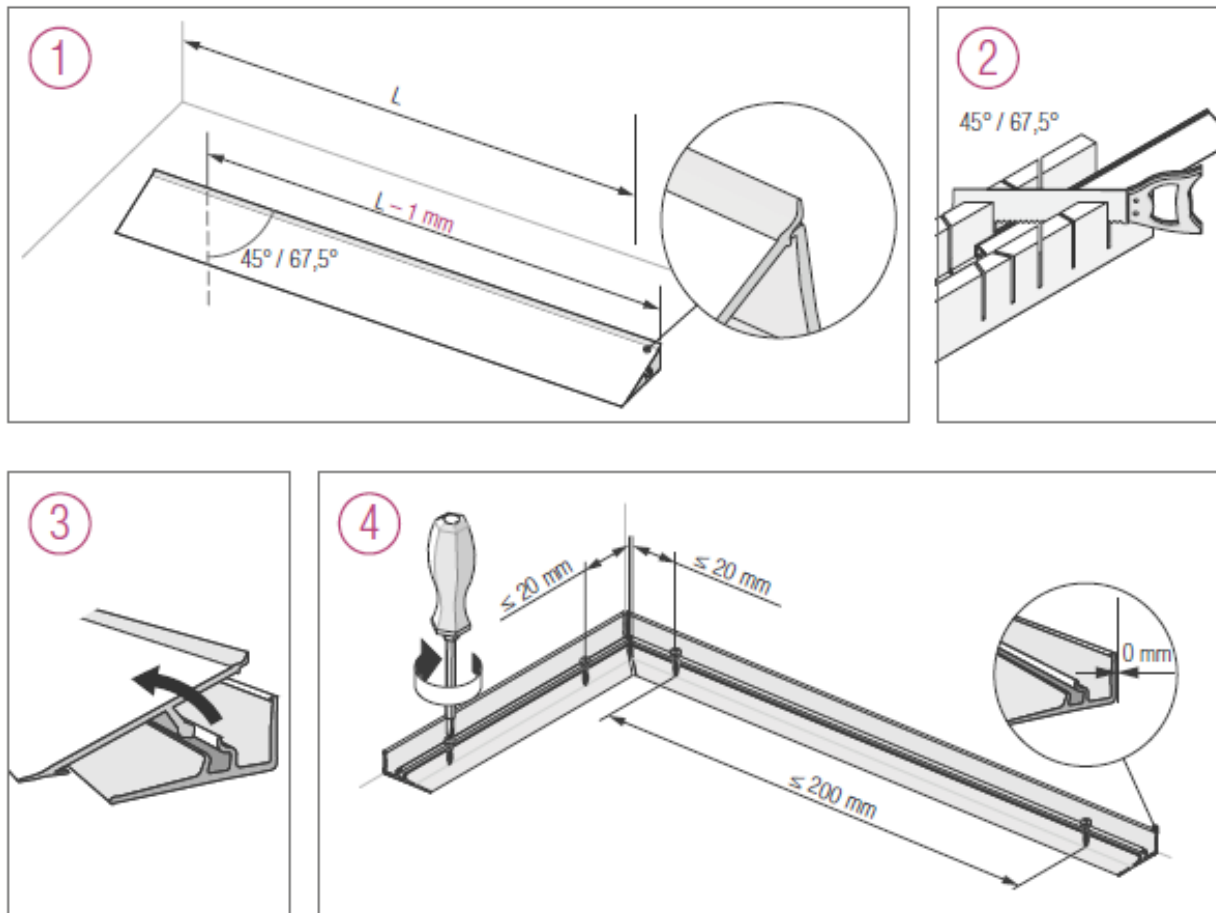
Moulded part colours adapted to the sealing lip according to the colour recommendation overview

Minimum quantities

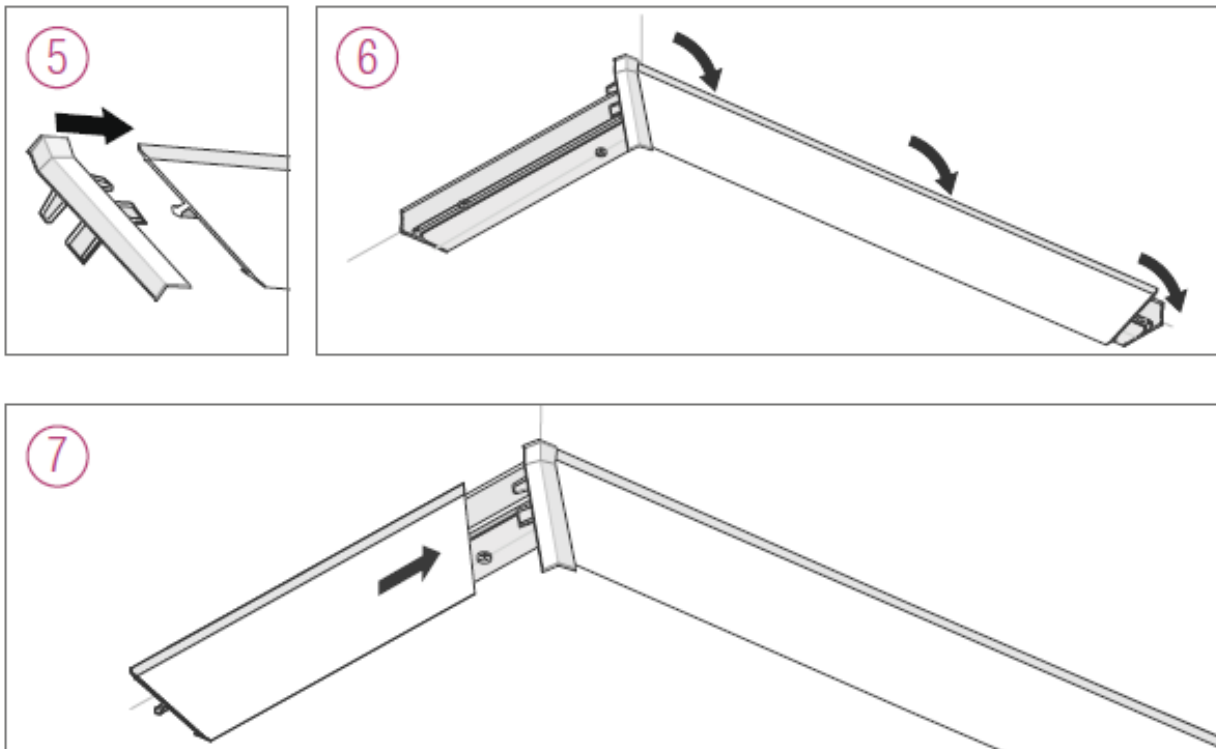
- 200 each per colour in box, left end cap
- 200 each per colour in box, right end cap
- 100 each per colour in box, 90° inside corner
- 100 each per colour in box, 135° inside corner
- 100 each per colour in box, 90° outside corner
- 10 moulding bags per colour in box
(includes 1 x left end cap,
1 x right end cap, 2 x 90° inside corners,
1 x 135° inside corner, 1 x 90° outside corner)



RAUWALON perfect-line installation instructions



October 22



RAUWALON perfect-line installation video: <https://youtu.be/M0erKnTyMKw>

WAP RAUWALON perfect-line COLOUR RECOMMENDATION

Decor Code Pfleiderer	Texture Pfleiderer	Decor name Pfleiderer	Decor Code REHAU
universal	universal	Alu	157L
universal	universal	Stainless Steel	683L
F76001	SD	Loftec	1381U
F76016	VO	Flash black	1455E
F76026	CR	Ceramic Rust	1110U
F76028	FG	Rabac	2700E
F76044	SD	Bellato grey	3503E
F76112	SD	Inox Grey	4040E
F76113	SD	Metex Silver	4242W
F76142	CR	Terracotta	4227E
F76145	CR	Tazio	on request
F76146	SD	Terrazzo Bronze	4130E
F79934	SD	Ferro Black	4244W
R20027	RT	Pale Lancelot Oak	449U
R20039	RT	Grey Sonoma Oak	2600E
R20065	NW	Dark Mountain Oak	3027W
R20128	RT	Light Sonoma Oak	433U

October 22

Decor Code Pfleiderer	Texture Pfleiderer	Decor name Pfleiderer	Decor Code REHAU
R20231	FG	Natural Torino Oak	1487U
R20347	FG	Saloon	1773U
R20348	NW	Oiled Oak	1741U
R20349	NW	Tangram Oak	on request
R20351	NW	Flamed Wood	4258W
R27001	VV	Royal Maple	576U
R30023	VV	Block Walnut	4127E
R30135	NW	Okapi Walnut	1366U
R34032	NW	Portland Ash Black	1826U
R48036	VV	Flintwood	1779U
R55073	SD	Sand Pine	1775U
S60011	FG	Smooth Concrete Graphite	3907E
S60019	CR	Crick	3822E
S61011	VO	White Ipanema	1509U
S61034	SD	Beola Grigia	1777U
S63007	SD	Oriental Stone Brown	3283E
S63009	SD	Carrara Marble	1435U
S63013	FG	Trasimeno basalt	4201E
S63014	MS	Roma Marble	2411E
S63021	SD	Breccia Paradiso	4200E
S63027	SD	El Greco	on request
S63028	SD	Nero Portoro	4048E
S63035	SD	Trebbia Stone	1248U
S63044	MS	Caviar Black	4250W
S63045	MS	India White	566U
S64011	FG	Deep Slate	1825U
S68013	SD	Black Limestone	2680
S68025	MS	Kings Marble Green	1500U
S68027	FG	Roman Mosaic Grey	on request
S68034	SD	Espresso	on request
S68036	SD	Cento	4152W
S68039	MS	Terrazzo Classico Black	1657U
S68048	FG	Abruzzo Colore	1579U
S68049	FG	Abruzzo Naturale	1774U
S68050	SD	Calypso	4099E
U11026	SD	Crystal White	11779
U11102	XMSM	Chalk	78997
U12044	XMSM	Dolphin Grey	71738
U12187	SD	Light Grey	71506
U12290	MP	Anthracite Grey	140358

October 22

REHAU EDGE MATERIALS

RAUKANTEX EDGE FAMILY

Matching edgeband material to the Duropal worktop range available directly through our partner, REHAU AG + Co; for further information please see:

Website: www.rehau.com/interior

Email: info@rehau.com

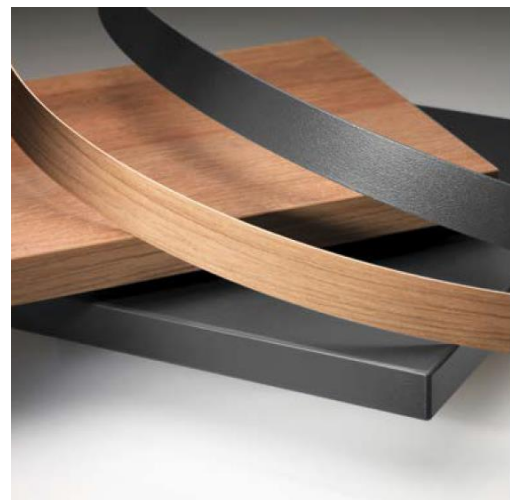
Hotline: +49 (0) 800 73 42 888

Direct handling through REHAU AG + Co by carrier or parcel service.

Properties / Benefits

Whatever your requirements - our edging partner REHAU AG + Co offers the perfect solution for every requirement in terms of design, function and processing with its RAUKANTEX edging range - always identical in decor to your Duropal worktop.

From simple carcass processing with classic primer edgeband – RAUKANTEX pure – or the zero joint entry level edgeband with 100% adhesive-free application - RAUKANTEX plus – the new TPU-based generation – through to the high-quality seamless joint front finish with the pure polymer edgeband solution - RAUKANTEX pro - in tried and tested REHAU quality. Whatever your process, RAUKANTEX is the right edge in quality and design.



October 22

DUROPAL HPL EDGE STRIPS

Properties / benefits

- ideal, identical decor & surface sealing of the worktop end face
- fulfils all properties (abrasion / impact and scratch resistance) of EN 438-3



Format

- 4,100 x 45 x 0.6 mm - rolled

Decors

- Decors according to HPL edge strip overview

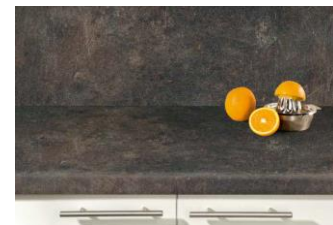


Minimum quantities

- Packed in a box
- 6 pieces per decor individually rolled = 1 box

BACK PANELS

As an interesting alternative to the familiar tiled backsplash, we offer back panels matching the worktop decor.



Properties / benefits

- protects the kitchen walls from water, fumes & grease splashes
- easy installation compared to tiled backsplash
- variable use is possible – from the classic matched colour through to a high-contrast design
- fulfils all properties (abrasion / impact and scratch resistance) of EN 438-3

Special features

- The front & back have different designs, therefore fewer stock variations

Format

- 4,100 x 600 x 9.2 mm (ClassicBoard P2 CARB2 / Duropal HPL)

Profile

- square cut

Film covering

- XMSM surface versions have a protective film cover

Minimum quantities

- From 1 piece each from stock

Back panels overview

Decor front side	Texture front side	Decor reverse side	Texture reverse side
F76001	SD	F76113	SD
F76016	VO	S61011	VO
F76026	CR	F76145	CR
F76028	FG	S63045	MS
F76044	SD	F76112	SD
F76142	CR	S60019	CR
F76146	SD	S61034	SD
F79934	SD	S68036	SD
R20027	RT	R20128	RT
R20039	RT	S68025	MS
R20065	NW	R20348	NW
R20231	FG	S63013	FG
R20347	FG	S60011	FG
R20349	NW	R20351	NW
R27001	VV	R30023	VV
R30135	NW	R34032	NW
R48036	VV	S63044	MS
R55073	SD	S63028	SD
S63007	SD	S63009	SD
S63014	MS	S68039	MS
S63021	SD	S63027	SD
S63035	SD	S68013	SD
S64011	FG	S68027	FG
S68034	SD	S68050	SD
S68048	FG	S68049	FG
U11026	SD	U11026	SD
U11102	XMSM	U12044	XMSM
U12187	SD	U12290	MP

PM HPL / Elements / Lacquered boards

© Copyright 2022 Pfleiderer Deutschland GmbH

This information has been compiled with the greatest care. Nevertheless we can assume no liability for the correctness, completeness and up-to-dateness of this information. Colour deviations caused by the printing technology are possible. In view of the ongoing further development and adaptation of our products, possible amendments to the relevant standards, laws and regulations, our technical data sheets and product documentation expressly do not constitute a legally binding assurance of the properties described there. In particular no guarantee of suitability for a concrete application can be derived. It is therefore the personal responsibility of the individual user in all cases to check the processing and suitability of the products described in this document for the intended application in advance, and to take into consideration the legal framework and the respective state-of-the-art. We furthermore expressly draw attention to the applicability of our General Terms and Conditions. You can find our general terms and conditions on our webpage: www.pfleiderer.com